



# Glass & Glazing



The Complete Package...

Offering all the benefits of a GGF member



## The Complete Package...

Offering all the benefits of a GGF member

N&C Glass prides itself in having achieved all possible industry related accreditations during 28 years in business. Established in 1984 by the owner and Managing Director Nicholas Flack N&C Glass was set up to provide a premier glass and glazing service for Ely, Newmarket and Cambridge and the surrounding areas – covering everything from the smallest repair to the re-glazing of Windsor Castle.



## From start to finish N&C Glass ensures quality at every stage

Over the years the company has expanded to provide PVCu aluminium windows, doors and PVCu conservatories, soffits, fascia and guttering, aluminium secondary glazing and we now offer a complete service, from sales to manufacture ... all under one roof.

We are a friendly, experienced, family run business and are always available to help you with your enquiry. You can contact us by phone, or email or visit our showroom, come in and have a coffee and discuss your needs.

## Traditional putty glazing

This is an N&C Glass speciality as not many companies have the knowledge and specialist staff to complete this type of glazing.

Glazing repairs or hacked out and reglaze as it's known in the trade.

N&C glass are proud to offer an emergency glazing service to both the domestic and commercial market, including broken shop fronts. This also includes a secure 24 hour emergency board up service.

## N&C manufacture their own Kitemark sealed units

We offer a full glazing service to both domestic and commercial markets.



Another addition to the N&C product range is the new super slim lite Krypton and Xenon gas filled sealed units. Architects and conservationists alike find this product indispensable - offering the benefits of traditional glazing but with the energy saving of modern double glazing. U Values Achieved 4mm cavity=1.9 U Value/6mm cavity=1.6 U Value. All double glazed sealed units comply to latest document 12

Some of the special sealed units supplied and fitted by N&C Glass.

Units with blinds within the glazed panels



Solar controlled units with a self cleaning surface



Distinctive units to suit all taste



Leaded



Etched



Bevelled



Stained Glass



Glass Processing

## Glass Processing

N&C Glass offer a full processing service in-house. From a polished glass table to full length mirrors. All sizes and shapes are catered for.

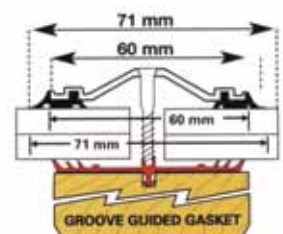
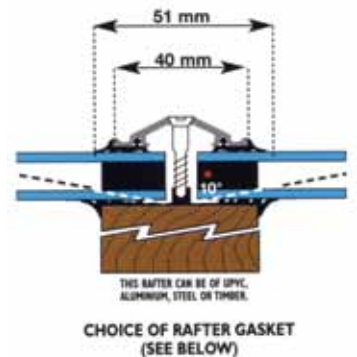


## Patent Glazing Roof Light and Atria Systems

N&C Glass have been a key installer of the Lonsdale patent glazing systems for over 28 years and can provide concise information, enabling the architect and specifier to select their product accurately and efficiently with complete peace of mind.

## Glass Roofs

As an alternative to the Lonsdale roof glazing systems N&C Glass offer a complex patented aluminium capping bar.

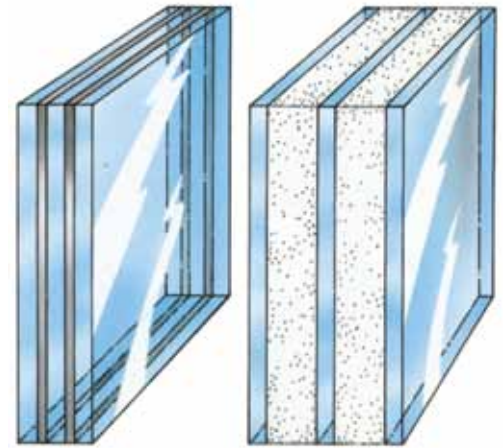


## Fire Glass

Over the years N&C Glass have become one of the leading suppliers and installers of a range of fire glasses. We offer a fully detailed survey and advice on all applications making sure the client achieves the necessary specification to comply with the latest fire regulations document.

## Pyrobel

Architects and designers are increasingly looking for larger screens and doors to provide buildings with new aesthetic designs whilst increasing comfort and safety for the people who use them. In most cases however, these glazings must be fire resistant to comply with the building regulations which aim to stop the spread of fire and enable the safe evacuation of the building. To fulfil these requirements, N&C Glass can supply the Pyrobel range of fire resistant glasses, tested and approved to BS 476:Part22:1987, on both integrity and insulation criteria. Pyrobel is a fully transparent fire resistant glass, available in large sizes, which offers variable sound reduction properties and complies with the safety requirements of BS 6206



## Applications

Pyrobel can be used in all applications where building regulations stipulate a specific level of fire resistance and where light and clear visibility are required, such as:

- Hospitals
- Schools
- Hotels, restaurants
- Stores, shopping centres
- Office buildings, computer rooms
- Industrial buildings, warehouses, laboratories
- Airports

## Safety Glass

Whether it's toughened safety glass or laminated safety glass N&C will advise you on the right glass for the right application. All safety glass complies with the latest regulations document. Below are some of the safety glass installations completed by N&C Glass recently:



## N&C Glass Design & Install Customised / Bespoke Shower Screen and Cubicles



Balustrading is another popular use of safety glass.



## N&C Glass balconies



## Secondary Double Glazing

Whether it's vertical, horizontal, sliding, hinged or fixed N&C Glass manufacture their own slim line system at our premises in Lancaster Way, Ely.

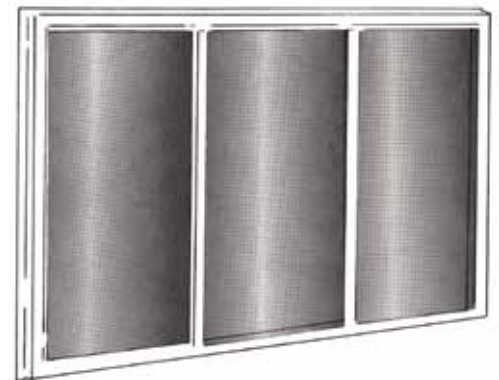
### Technical specification

Metal Sections are manufactured from HE9 extruded aluminium to B.S. 1474 and standard finish is anodised to B.S. 1615 AA5.

Alternatively, sections are available, at slight extra cost, finished in Electrophoretic White or Bronze Anodised. Glazing is with flexible P.V.C. gasket.

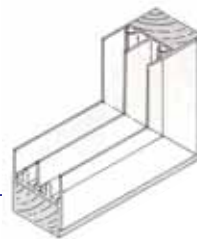
Sealing for the slide units is by twin Polypropylene Weatherpile, and the hinged and fixed units are sealed by the use of long-life closed cell expanded neoprene.

4, 5 or 6mm glass may be used as required.



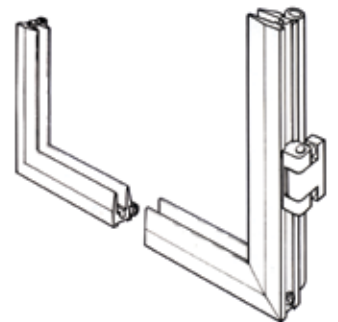
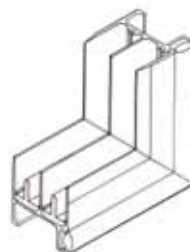
### Reverse fix section

(Available for all Sliding units, Vertical and Horizontal, also L Out units).



### Equal-leg section

(Available for Horizontal and Vertical sliding units)



Hinged or fixed



Application of films to control safety, solar glare, solar gain, privacy, obscurity and bomb blast

N&C Glass offer a full application service of the above films often used in schools, hospitals, government buildings etc, but can also be applied where required in domestic situations i.e. conservatories.

### Original Leadlights

Whether it's new work or repair, N&C Glass have their own Leadlight manufacturing department to carry out design and installation.



### Timber Window and Door

N&C Glass offer a full range of hardwood/softwood windows and doors to suit your needs. All products are manufactured to the latest regulation and carry 10 year or 5 year guarantee. (Super slim unit carry no guarantee)





N&C Glass Ltd  
Unit 103,  
Lancaster Way Business Park,  
Ely,  
Cambridgeshire  
CB6 3NX

Tel: 01353 667964  
Fax: 01353 666877  
Email: [sales@nandcglass.co.uk](mailto:sales@nandcglass.co.uk)  
Web: [www.nandcglass.co.uk](http://www.nandcglass.co.uk)

You will find us on Lancaster Way Business Park,  
which is off the A142 road between Ely and Witchford,  
directions from the A10 Ely bypass, take the exit by  
the Little Chef/BP garage.

Opening hours:  
7 a.m. - 5 p.m. Monday to Friday  
7 a.m. - 12 noon Saturdays

## The Complete Package...

Offering all the benefits of a GGF member

